



# STEINEL DCS™ Applications for Engineers

PRESENTED BY SEAN LAFFERTY  
AND POURIA NIKNAM

# STEINEL: The inventors' company



We think outside the box and

Scrutinize things that are taken for granted

Providing **value-added features and functions** without the additional cost.

With technology invention in our veins, we think **without restrictions** and turn discoveries into **intelligent products** that meet the most exacting of demands.

## Digital Done Better:



Smarter Solution



No Front End Needed



Easy to Install



High Value

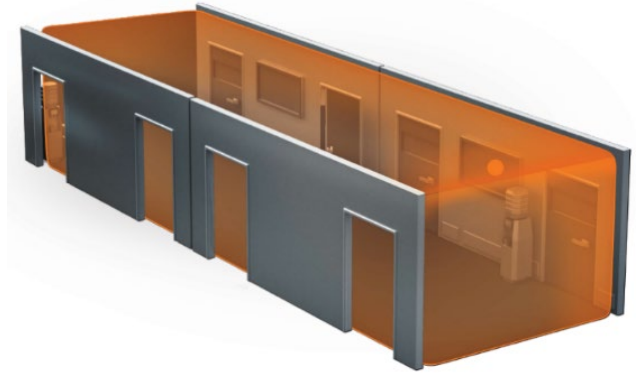


# STEINEL Digital Control Solution™

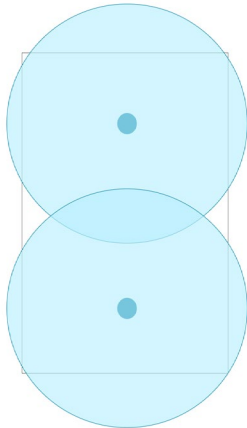
## Innovative Technology



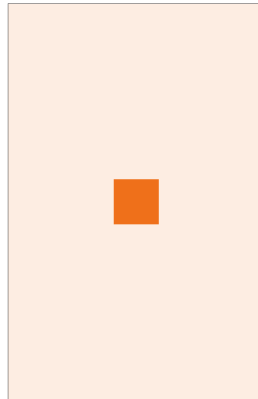
- Smarter coverage pattern covers square rooms
- 4800 detection zones (IR Quattro HD sensor)
- Rooms require fewer sensors (Up to 4,200 sq ft of coverage per sensor)
- Commissioning apps available for iOS and Android devices
- Out of the box functionality and code compliance



Traditional coverage



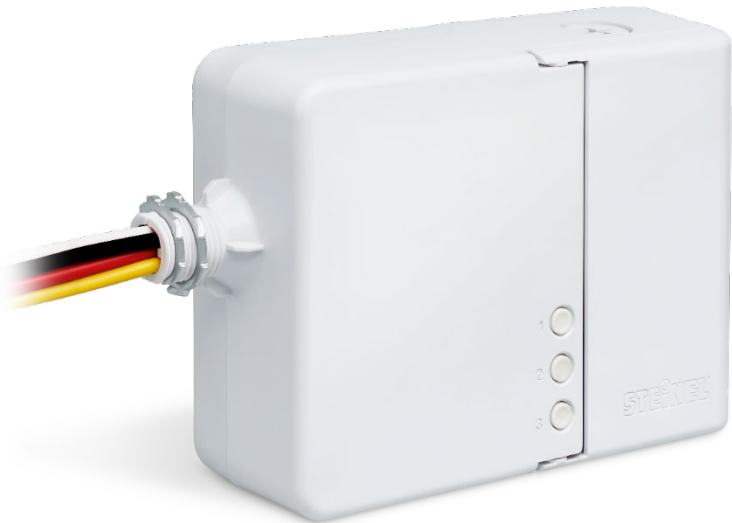
Steinel coverage



DCS answers the demand for a **COST-EFFECTIVE** room controller that **MAXIMIZES** energy savings.

Everything you need, code-compliant out of the box.

- Digital bus for sensors, switches, photo cells
- Wireless programming
- Predefined (out of the box) & custom use case generation
- Preset or custom scenes
- 3 independent 20A relays
- Current monitoring per relay
- 3 independent 0-10V dimming zones
- Receptacle control
- Multi-zone daylighting
- Min. & max. dimming levels
- Hold off / Force off photo sensor functions
- Partial on & off
- Demand response
- Astronomic and time clock functions
- Wireless BLE mesh interconnectivity
- BMS integration via BACnet, available through the **DCS Connect** model

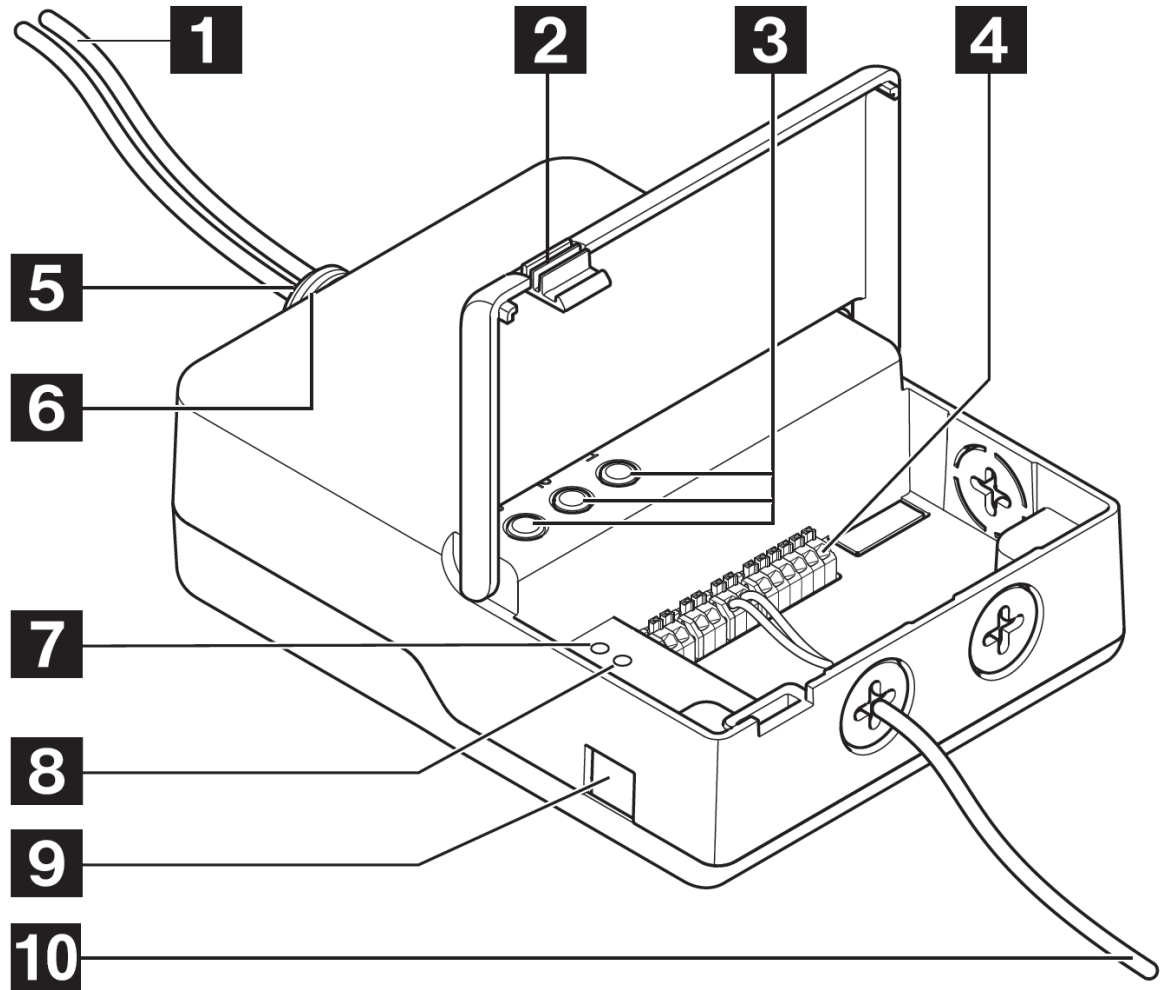


# STEINEL Digital Control Solution™

Easy to Install.



1. Line voltage wires
2. Low voltage door latch
3. Test buttons
4. Low voltage terminals
5. ½" threaded nipple
6. Two lock nuts
7. Led
8. Reset button
9. RJ45 BACnet port
10. Low voltage wires



### NEW Sensors & Switches



IR Quattro SLIM XS DCS



IR Quattro Micro DCS



PS DCS



Wall switches

### Digital Control Pro



IR Quattro DCS



IR Quattro HD DCS



US Quattro DCS



US Oneway DCS



US Hallway DCS



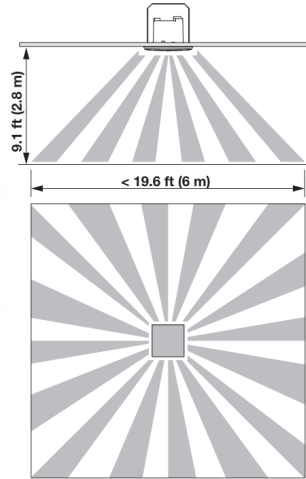
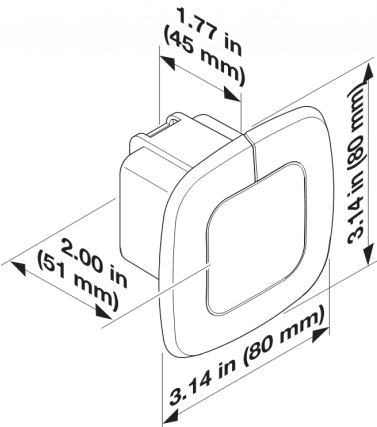
DT Quattro DCS

# STEINEL Digital Control Solution™

## IR Quattro SLIM and Micro New Digital Sensors



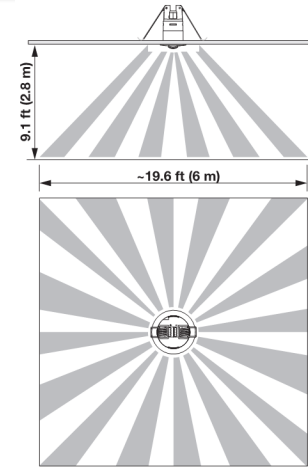
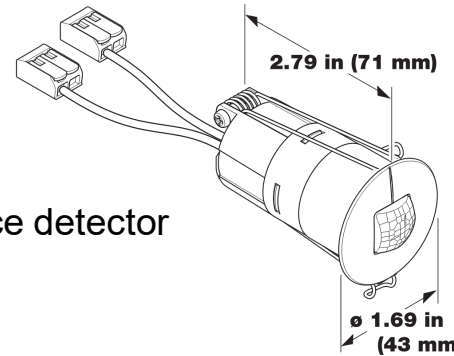
IR QUATTRO SLIM



- Passive infrared presence detector
- 408 switching zones
- 6 mm low profile
- Flat lens
- Square coverage pattern
- Wireless commissioning through DCS app
- 13 x 13 ft. Presence Detection
- 19 x 19 ft. Tangential Detection
- 1-100 fc.
- 30 sec. to 30 min. time delay
- IP 20 Rated



IR QUATTRO MICRO

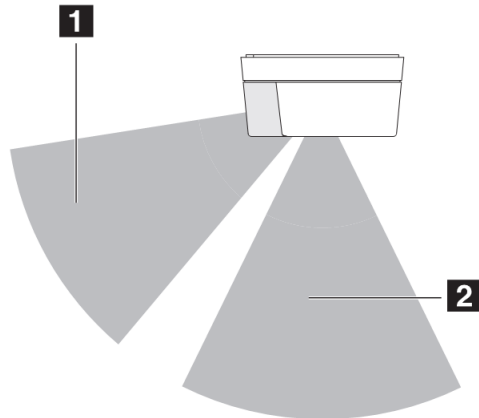


- Passive infrared presence detector
- 168 switching zones
- Micro-precision lens measures just 15 x 15 mm
- Square coverage pattern
- Wireless commissioning through DCS app
- Spring clip mounting
- 13 x 13 ft Presence Detection
- 19 x 19 ft. Tangential Detection
- 1-100 fc.
- 30 sec. to 30 min. time delay
- IP 65 Rated



# STEINEL Digital Control Solution™

## PS DCS New Digital Sensors

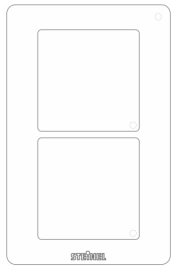


- 1** OL: Open Loop Control
- 2** CL: Closed Loop Control

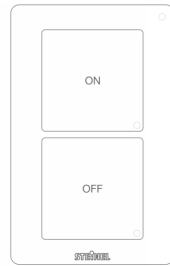
- Bidirectional lens and two photoelectric diodes to allow for both open- & closed-loop functionality
- Digital light level range selection via the commissioning app
- OL: 3-6,000 fc, CL: 3-300 fc
- Automatic calibration that takes into consideration the unique curve of the fixtures being used in the daylighting zone
- Mounts via screws, double sided tape or 1/2" chase nipple and locknut
- Polarity insensitive 2 wire bus
- Up to 3 daylight zones per sensor when used in open loop function
- Wireless assignment to multiple DCS controllers via BLE group assignments

# STEINEL Digital Control Solution™

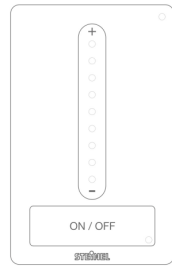
## NEW Digital DCS Switches



SS2 DCS



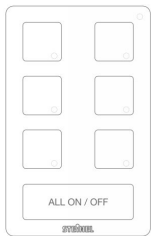
NF1 DCS



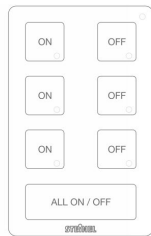
DS1 DCS

### 10 NEW Digital Switches:

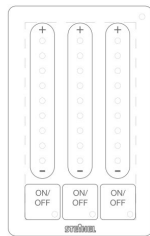
- Touch sensitive
- Glass interface (white or black)
- Polarity insensitive 2 wire bus
- Switches are customizable with an 8-week lead time



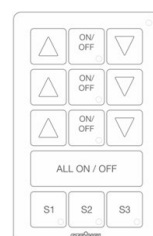
SS6 DCS



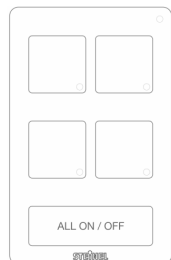
NF3 DCS



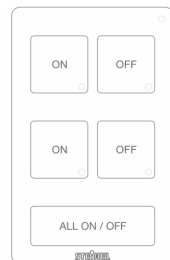
DS3 DCS



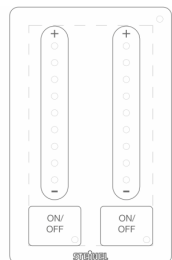
DS-SS3 DCS



SS4 DCS

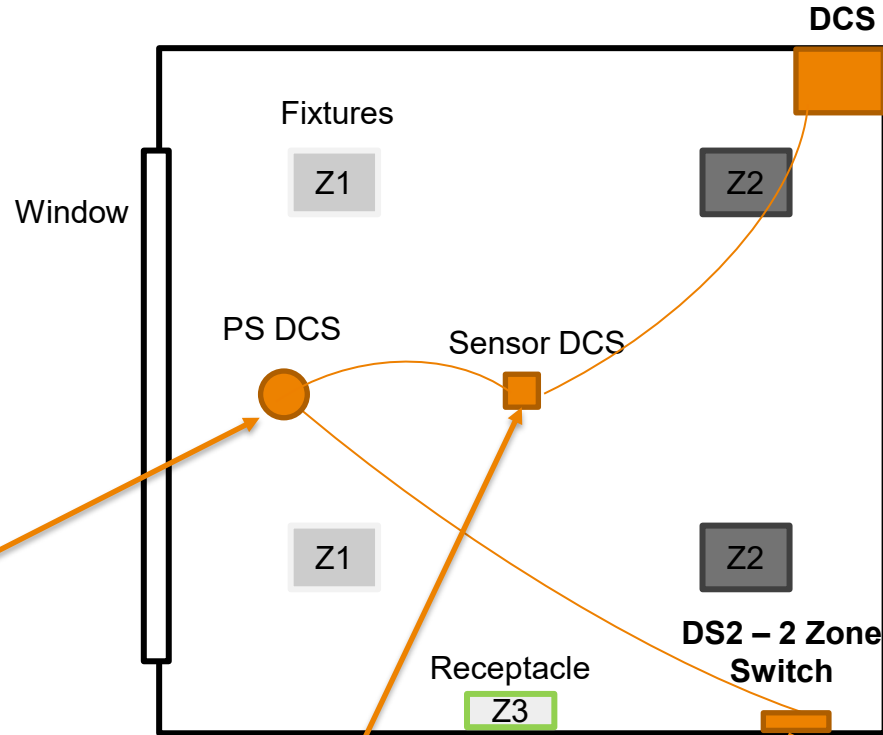


NF2 DCS



DS2 DCS





### Assigned to Relay 1

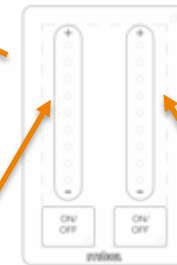
#### Sensor Settings:

- Open Loop Mode
- Automatic daylighting begins after 1 minute and assigns between 30 50 fc at desk level.
- Hold OFF active

### Assigned to all Relays

#### Sensor settings:

- Time Delay: 20 min
- Sensitivity: Maximum (available only for --US and DT sensors)
- Partial ON in 50 % all loads

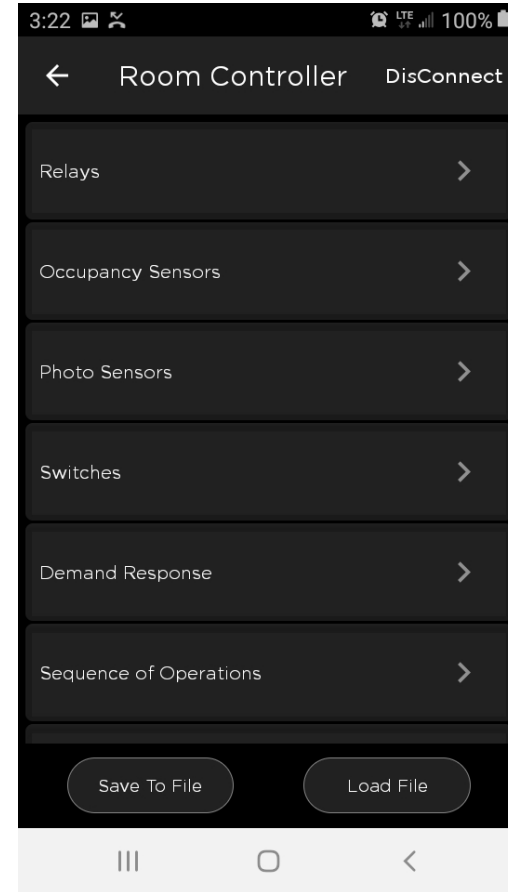
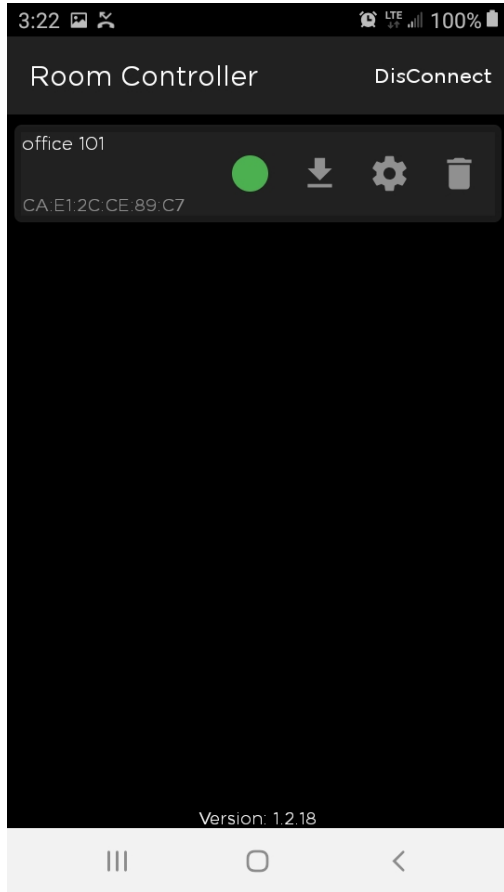


Assigned to Relay 1

Assigned to Relay 2

# STEINEL Digital Control Solution™

Easy to Program.



- Bluetooth app allows ease of commissioning or changes to be made.
- Available free for both IOS and Android.
- Use cases to eliminate need for recommissioning same room type over and over.



# COMMERCIAL OFFICE SPACE

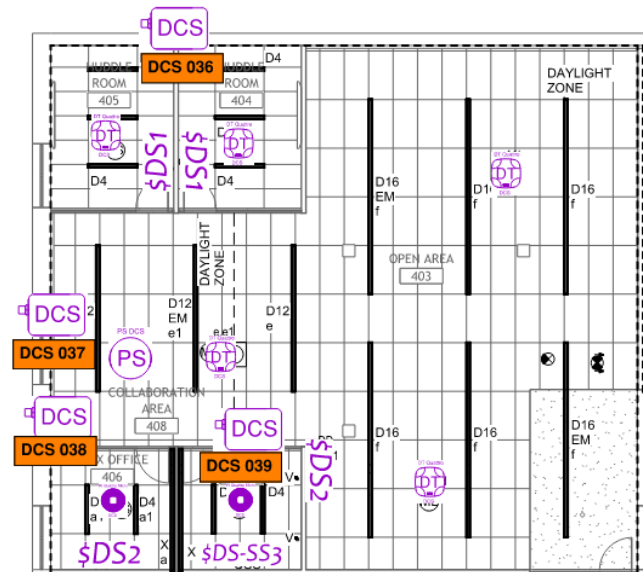


# STEINEL Digital Control Solution™

## Best Applications: Commercial Office Spaces



1. Sensors have built in photocells
2. Sensors allow for larger coverage pattern, using less sensors over a digital platform
3. Internal timeclock allows for time-of-day control
4. 3 independent 20A relays allow for control of three separate circuits
5. Digital platform allows for scene selection
6. 18/2 polarity insensitive installation allows for easy, hassle free installation and 3-way dimming capabilities
7. BLE commissioning app allows for easy commissioning





**HOTELS & MULTIFAMILY UNITS**



# STEINEL Digital Control Solution™

## Best Applications: Hotels & Multifamily Units



1. Time-of-day operation.
2. BLE mesh capabilities for additional zones of control, all from a single switch (master ON/OFF / over-ride switch)
3. Simple wiring topology utilizing the 18/2 polarity insensitive data line to all sensors and switches



4. Corridor-specific sensors (65' radial coverage) will reduce overall number of sensors
5. Multiple control zones from a single point without having to connect





# RESTAURANTS

# STEINEL Digital Control Solution™

## Best Applications: Restaurants



1. Different times of day require different scenes/settings. The internal timeclock allows for scenes to begin/end daily at the same time without requiring any manual control/dimming.
2. Smartphone app allows end user to adjust the dimming levels of scenes at any time.
3. BLE Mesh network allows multiple DCS controllers to communicate and control multiple relays/zones.
4. Option to over-ride the sensors during non-business hours with a 2-hour time delay.





# EXTERIOR LIGHTING

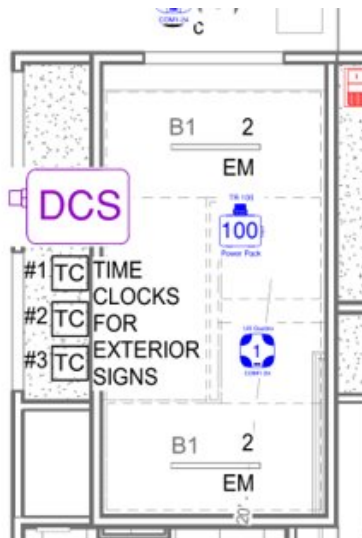


# STEINEL Digital Control Solution™

## Best Applications: Exterior Lighting



1. Astronomic Timeclock is built in to the DCS and allows for sunrise/sunset operation for all exterior lighting. Many cases this allows exclusion of exterior photocells.
2. The DCS has (3) 20A relays, which can control up to three zones of exterior lighting.
3. Internal timeclock can control signage lighting, to come during operational hour.





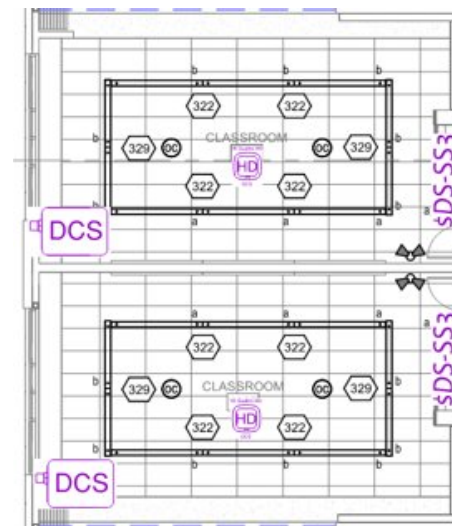
**CLASSROOMS**

# STEINEL Digital Control Solution™

## Best Applications: Classrooms



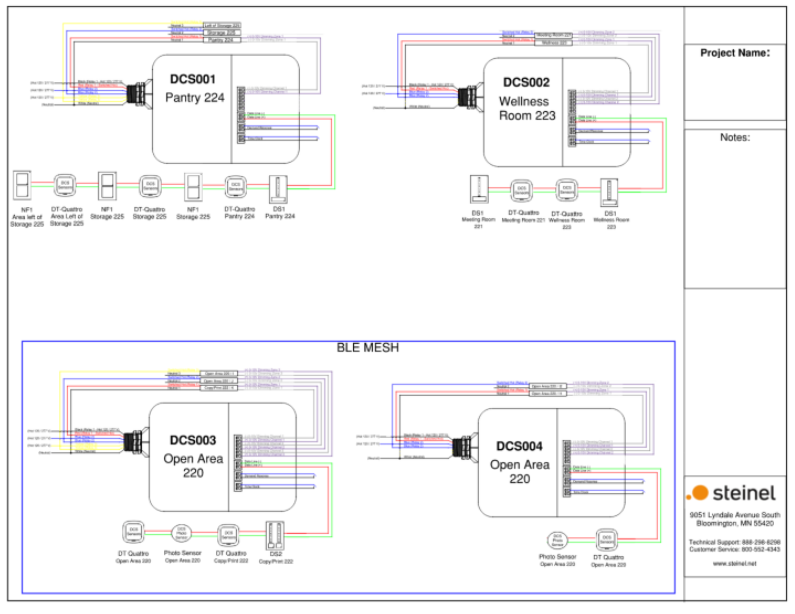
1. 13 button all-inclusive wall switch, allows for complete control from a single wall station
2. Scene selection, 3-way dimming, BLE mesh capabilities, plug load control
3. Photocell (PS DCS) has ability to control 3 daylight zones using a single photocell
4. CCT tuning if fixtures have 0-10v as CCT control input





# STEINEL Digital Control Solution™

Quality Products. Quality Service.



## FULL SUBMITTAL PACKAGES FOR EASE OF INSTALLATION

## ON-SITE OR VIRTUAL PRE-WIRE VISITS

- FREE Layouts, provided to you within 48 hours on average
- Bluebeam Revu toolboxes are available – contact us for help with layouts or quotes
- Layout review for DIY layouts provided by you
- Our Tech team provides submittals, one-line diagrams and on-site or virtual pre-wiring visits

# STEINEL Digital Control Solution™

Quality Products. Quality Service.



*“The Steinel DCS controllers, sensors and switches all worked as advertised. The Steinel Sales Manager was a huge help throughout the entire process. He was always available via phone/email, and came out for a pre-wiring walk through to ensure all questions and concerns were addressed up front. Final commissioning was a breeze, and the whole floor was programmed in less than two days.”*

– RTL ELECTRIC, CHANTILLY VA



# STEINEL Digital Control Solution™

Easy to Install. Easy to Program.



**Questions about our solutions?**

[tech@steinel.net](mailto:tech@steinel.net)

888.298.8298

**Need layouts for your project?**

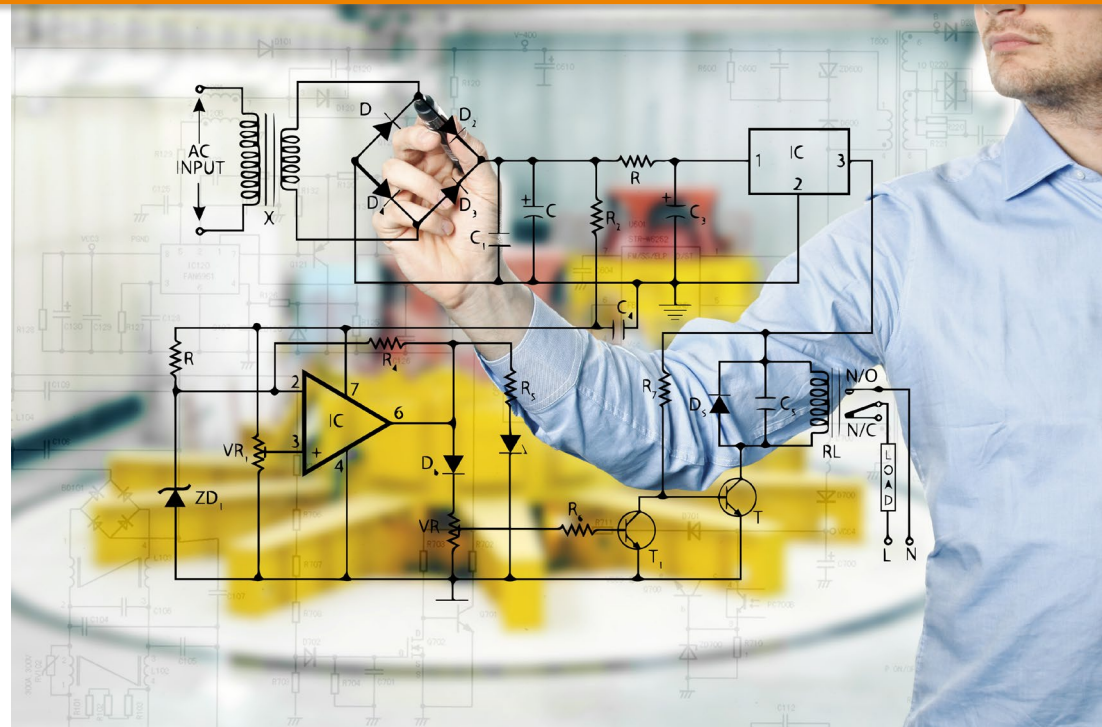
Contact our tech team or your  
Regional Sales Manager.

**Need to connect with our sales  
team?**

[sales@steinel.net](mailto:sales@steinel.net)

800.852.4343

REACH OUT TO YOUR RSM TO  
SCHEDULE A DEEP DIVE ON THE  
DCS FOR YOUR NEXT  
APPLICATION



**Thank you, Engineers!**